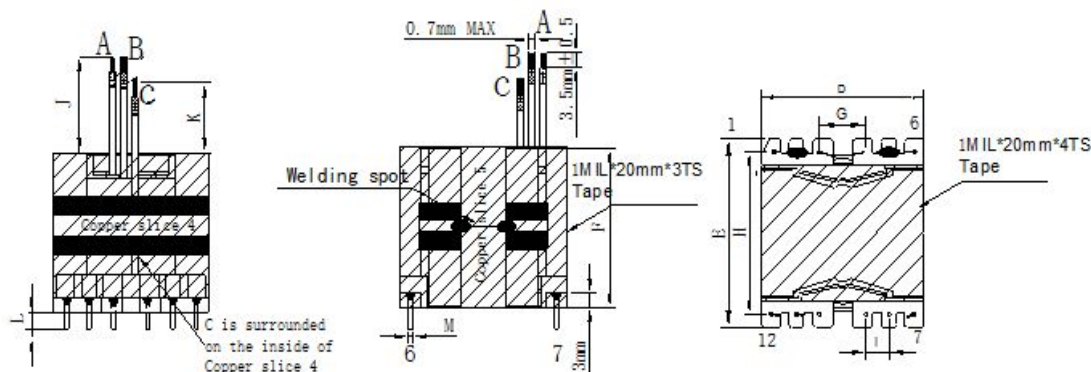


CUSTOMER TERMINAL	ROHS	Lead(Pb)-free
	YES	YES

## 1. Mechanical Dimensions

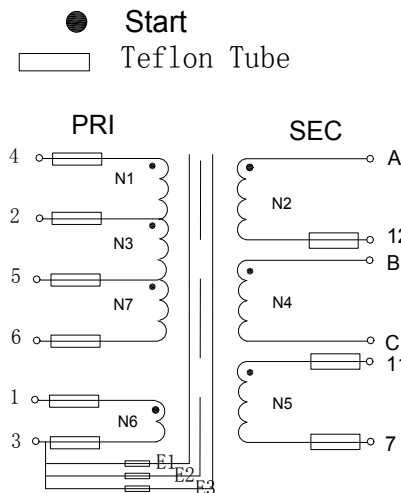


D	30.5	MAX
E	30.5	MAX
F	23.5	MAX
G	7.5	±0.1
H	25.5	±0.1
I	3.5	±0.1
J	45.0	±2.0
K	38.0	±2.0
L	3.5	±0.3
M	0.6	±0.1

## 3. Material List

Core:FW95 PQ2620  
 Bobbin:FWB2601(6+6PIN)  
 Wire:2UEW TIW LITZ  
 Copper foil: 0.025t\*5.0/8.0mm  
 Operating Temperature: -30 to115 °C

## 2. Schematic Diagram



## 4. Electrical Specification

Inductance: L(4-6):0.5mH±5% 60KHZ , 1V  
 Leakage Inductance : 10uH MAX 60KHZ , 1V  
 DCR:(4-6)=0.7ΩMAX  
 Hi-Pot:P-S: AC 60Hz 4000V 1.0mA 3S  
 S-CORE: AC 60Hz 4000V 1.0mA 3S

REV.	DATE	 Convention Placement	DRW.	Drawing Title:	Part No:		
0	00/00		CHK.			<b>TRANSFORMER</b>	FWPTPQ2620V501J-1
			APP.			Customer P/N	Specification Sheet 1of 1
<b>ROHS</b>		<a href="http://www.ferriwo.com">www.ferriwo.com</a>					